

Ideal for:
Tyre Service
Open Pit Mines & Quarries
Tyre Manufactures / Dealers
OEM / Workshops / Assembly Lines

Easy Gripper 3400-5T

Save
time
Improve
safety



Professional tools for handling of OTR/EM tyres up to 36.00R51

- Unique 3-point grip
- Precise rotation +/-25°
- 35° or 90° tilt, horizontal to vertical
- Tools for safe handling of tyre rings
- Integrated camera system for optimal view
- Prevents damage to tyres, rims & equipment
- Customization available



Experts in Tyre Handling Equipment



Easy Gripper

The Easy Gripper product range is designed to help professional tyre technicians in a multitude of conditions and situations. Implementing The Easy Gripper makes tyre handling faster and safer, while preventing damages to tyres, rims and equipment.

Capability

With a gripping range of Ø1.380 - 3.400 mm (55 - 133") and a lifting capacity of 5.000 kg (11.000 lbs) at a CoG of 650 mm (26"), the Easy Gripper 3400-5T handles large OTR/EM tyres and wheels assemblies up to 36.00R51 even as inside duals.



Improve safety and efficiency

The unique 3-point grip, precise tilt and rotation, integrated camera system and special designed Ring Handling Tools all improve the safety as well as the efficiency while handling tyres and wheels.

Optimized tyre logistics

Stacks tyres both horizontal and vertically at workshops and warehouse areas. Fast and safe loading and unloading of trailers.



Mobile and on-site tyre service

Mounted on forklifts, front loaders or telehandlers all tyre service situations in all environments can be handled in the mining industry and civil construction.

OEM assembly lines

The Easy Gripper has full control of the tyres and wheels during the whole process, until it is firmly mounted on a vehicle. Proven record of reducing internal damages with up to 90%.



Forklifts



The Easy Gripper 3400-5T with the 90° tilt module, is ideal for use on forklifts.

Front loaders and telehandlers



The Easy Gripper 3400-5T Compact without tilt or with the 35° tilt module is a good choice depending on the tilt provided by the carrier.

Standard features

Unique and safe 3-point grip

Prevents accidents.
Prevents deformation of tyres.
Prevents damages to tyres, rims and equipment.

Integrated camera system with 2 cameras

For optimal view and for precise hub and bolt alignment.
With automatic IR function in insufficient lighting conditions.

Precise rotation +/-25°

35° or 90° tilt, horizontal to vertical

LED working light

Customized attachment system

Optional accessories

Quick Shift System

Easy hook on and off.
Shift between Gripper and forks.

Easy shift of gripping pipes for various purposes

Telescopic pipes for long reach, to provide room for the tyre technicians and for dual tyre handling.
Flat top arm for limited tyre clearance

Tools for safe handling of tyre rings

Special designed Ring Handling Tools for handling multi-piece rim parts is another exclusive feature that is only available with an Easy Gripper. With the Ring Handling Tools the tyre technicians can grip, hold, press, or place tyres, rims and rings as needed
- a major improvement of safety and efficiency!

Customization on request



Unique and safe 3-point grip



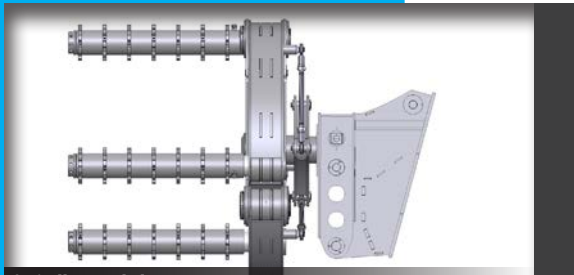
35° or 90° tilt module - horizontal to vertical



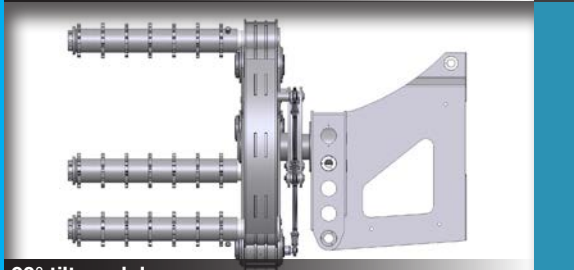
Tools for safe handling of tyre rings



Integrated camera system for optimal view



35° tilt module



90° tilt module



Interface for carrier specific attachment



2 Camera System - for hub and bolt alignment



LED working light

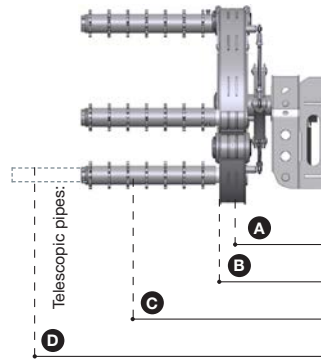


Telescopic pipes for long reach

Technical Specifications

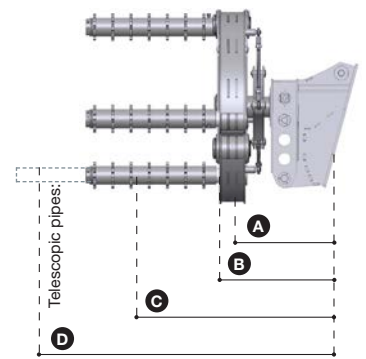
Weight:	Compact = 3.050 kg / 35°= 3.200 kg / 90°= 3.300 kg
Lifting capacity:	5.000 kg (11.000 lbs) at C from B 650 mm 4.000 kg (8.800 lbs) at D from B 1.300 mm
Tyre diameter:	1.380 - 3.400 mm (55 - 133")
Standard pipes:	Ø200 x 1.100 mm (8" x 43")
Telescopic pipes:	Ø220 x 1.450 -> 1.900 mm (9" x 57" -> 75")
Attachment:	Carrier specific

Compact



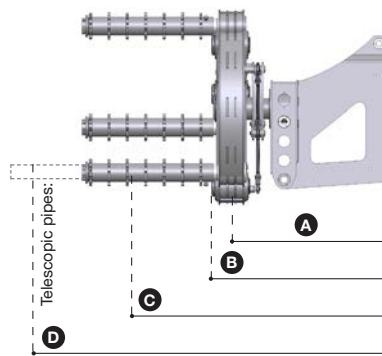
- A** CoG Gripper = 835 mm (33")
- B** Face of Gripper = 1.030 mm (41")
- C** CoG Load1 = 1.680 mm (66")
- D** CoG Load2 = 2.205 mm (87")

35° tilt module



- A** CoG Gripper = 1.150 mm (45")
- B** Face of Gripper = 1.350 mm (53")
- C** CoG Load1 = 2.000 mm (79")
- D** CoG Load2 = 2.650 mm (104")

90° tilt module



- A** CoG Gripper = 1.660 mm (65")
- B** Face of Gripper = 1.790 mm (71")
- C** CoG Load1 = 2.440 mm (96")
- D** CoG Load2 = 3.100 mm (122")

Technical Requirements of forklift or loader

Lifting capacity:	Individual calculation
Electrical supply:	12/24 V / min 10A
Hydraulic:	1 double acting hydraulic valve
Pressure min-max:	150 - 250 bar (2.175 - 3.626 psi)
Return pressure:	max. 10 bar (145 psi)
Flow:	max. 75 l/min. (19,8 gal/min.)



+45 72 344 344
 info@justeasytools.dk
 www.justeasytools.com
 VAT no.: DK33644809

Just Easy Tools ApS
 Nupark 51
 DK-7500 Holstebro
 Denmark