

Ideal for:
Small Open Pit Mines / Quarries
Underground Mines
Tyre Service
Ports
OEM

Easy
Gripper
2400-2T
Compact

Save
time
Improve
safety



Professional tools for handling of OTR/EM tyres up to 37.25R35

- Unique 3-point grip
- Precise rotation +/-25°
- Horizontal to vertical tilt depending on carrier
- Integrated camera system for optimal view
- Prevent damage to tyres, rims & equipment
- Tools for safe handling of tyre rings
- Easy hook on/off attachment



Experts in Tyre Handling Equipment



Easy Gripper

The Easy Gripper product range is designed to help professional tyre technicians in a multitude of conditions and situations. Implementing The Easy Gripper makes tyre handling faster and safer, while preventing damages to tyres, rims and equipment.

Capability

With a gripping range of Ø850 - 2.400 mm (34 - 94") and a lifting capacity of 2 ton (4.400 lbs) at a CoG of 550 mm (22") from face of gripper, the Easy Gripper 2400-2T Compact can handle tyres up to 37.25R35. When handling full wheel assemblies as inside duals, the Gripper handles up to 24.00R35 tyres.



Underground mines

Solves issues with limited clearance around the tyres. The 2 bottom pipes grip the tyre below the fender, and the top pipe can easily be changed to a flat arm to fit between tyre and fender.

Quarries

The unique 3-point grip, precise tilt and rotation, integrated camera system and special designed Ring Handling Tools all improves the safety as well as the efficiency while handling tyres and wheels.

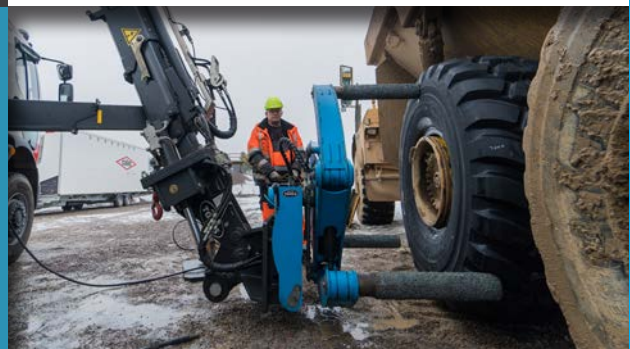


Ports

Reduces the down time and improves the safety for the tyre technicians while handling tyres and wheels on Straddle Carriers, Reach Stackers, AGVs and RTG cranes.

Breakdown service

Mounted on front loaders, telehandlers or truck cranes you get a perfect and safe solution to provide tyre service in any environment with just one or two operators ... faster than usually.



Electrical stackers and reach trucks



On electrical stackers and reach trucks and when working space is limited, see Easy Gripper Workshop 2T.

Front loaders and telehandlers

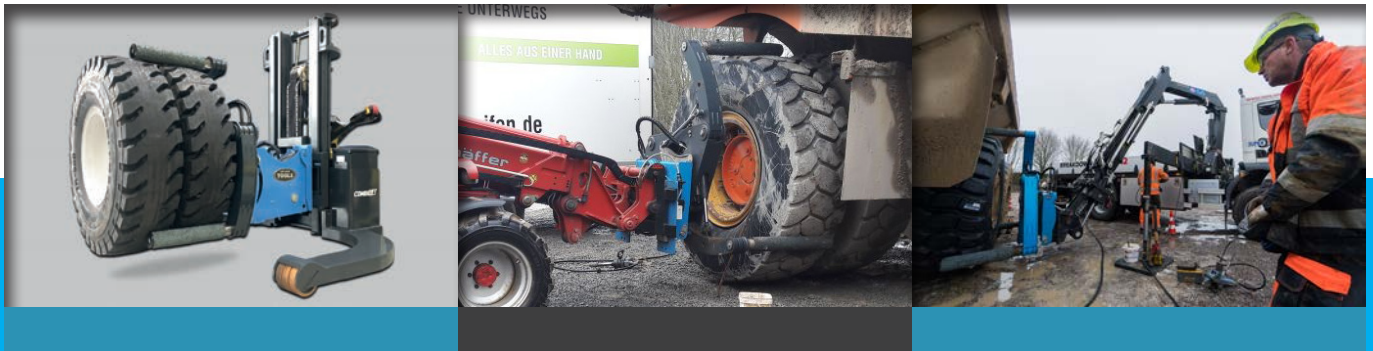


The Easy Gripper 2400-2T Compact without tilt or with the 30° tilt module is a good choice depending on the tilt provided by the carrier.

Truck cranes



By use of our Crane Module the Easy Gripper 2400-2T Compact also fit with almost any truck crane system.



Standard Features

Unique and safe 3-point grip

Prevents accidents.
Prevents deformation of tyres.
Prevents damages to tyres, rims and equipment.

Integrated camera system for optimal view

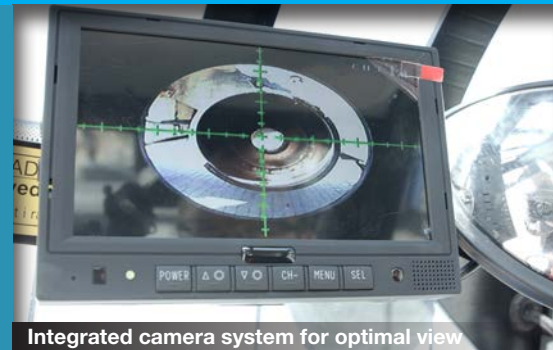
With automatic IR function in insufficient lighting conditions.

Precise rotation +/-25°

Horizontal to vertical tilt depending on carrier

Compact attachment system

Can be customized with quick shift option depending on carrier.



Integrated camera system for optimal view

Optional accessories

Easy shift of gripping pipes for various purposes

Telescopic pipes for long reach, to provide room for the tyre technicians and for dual tyre handling.
Flat top arm for limited tyre clearance.

Tools for safe handling of tyre rings

Special designed Ring Handling Tools for handling multi-piece rim wheels. With the Ring Handling Tools the tyre technicians can grip, hold, press, or place tyres, rims and rings as needed
- a major improvement of safety and efficiency!

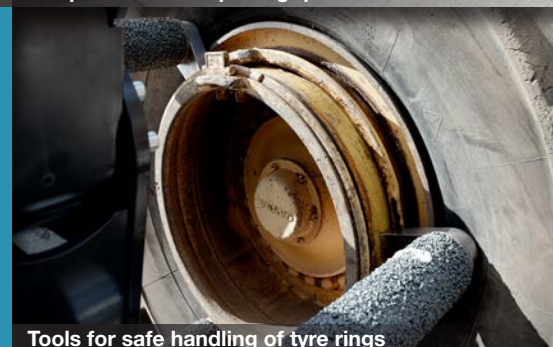
LED working light

Second camera for view of bolt diameter

Customization on request



Unique and safe 3-point grip



Tools for safe handling of tyre rings



Customized attachment system



30° tilt module



Telescopic pipes for long reach



Flat top arm for limited tyre clearance



Second camera for precise bolt alignment



LED working light

Technical Specifications

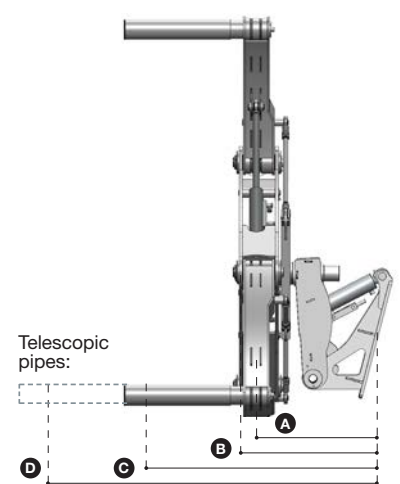
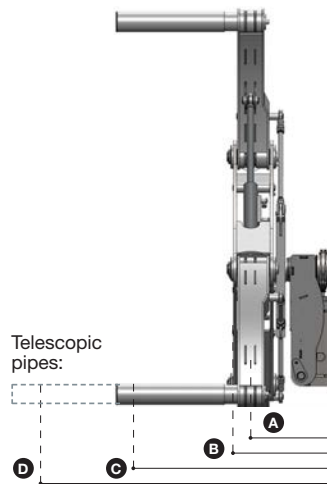
Weight:	Compact = 675 kg (1.488 lbs) / 30° = 710 kg (1.565 lbs)
Lifting capacity:	2.000 kg (4.400 lbs) at C from B 550 mm (21.7")
	1.425 kg (3.142 lbs) at D from B 825 mm (32.5")
Tyre diameter:	850 - 2.400 mm (33.5 - 94.5")
Standard pipes:	Ø115 x 650 mm (4.5 x 25.6")
Telescopic pipes:	Ø120 x 600 -> 875 mm (4.7 x 23.6 -> 34.5")
Attachment:	ISO/FEM/ITA Class 3 or 4 / Loader specific

Compact Gripper:

- A** CoG Gripper = 430 mm (16.9")
- B** Face of Gripper = 490 mm (19.3")
- C** CoG Load1 = 1.040 mm (41.0")
- D** CoG Load2 = 1.315 mm (51.8")

30° tilt module:

- A** CoG Gripper = 550 mm (21.7")
- B** Face of Gripper = 740 mm (29.1")
- C** CoG Load1 = 1.290 mm (50.8")
- D** CoG Load2 = 1.565 mm (61.6")



Technical Requirements

Lifting capacity:	Individual calculation
Electrical supply:	12/24 V / min 10A
Hydraulic:	1 double acting hydraulic valve
Pressure min-max:	150 - 250 bar (2.175 - 3.626 psi)
Return pressure:	max. 10 bar (145 psi)
Flow:	max. 50 l/min. (13 gal/min.)

Authorized Dealer



+45 72 344 344
 info@justeasytools.dk
 www.justeasytools.com
 VAT no.: DK33644809

Just Easy Tools ApS
 Nupark 51
 DK-7500 Holstebro
 Denmark