

Ideal for:  
Aviation / Military / Mining / Ports  
OEM / Workshops / Assembly Lines  
Industrial trucks  
Tyre service

Easy  
**Gripper**  
1700 Turnkey

Save  
**time**  
Improve  
safety



## Professional tools for handling of tyres and wheels up to 18.00R25

- Unique 3-point grip
- Precise rotation +/-25°
- 90° tilt, horizontal to vertical
- Precise Side Shift +/- 80 mm
- Integrated camera system for optimal view
- Prevent damage to tyres, rims & equipment
- Easy to operate



Experts in Tyre Handling Equipment



# Easy Gripper

The Easy Gripper product range is designed to help tyre professionals in a multitude of conditions and situations. Implementing The Easy Gripper makes tyre handling faster and safer, while preventing damage to tyres, rims and equipment.

## Capability

With a gripping range from Ø480 - 1.700 mm (19-67") and a lifting capacity of 600 kg (1.320 lbs) the Easy gripper 1700 is developed to handle small and heavy tyre and wheel assemblies for the Aviation / Military / Mining / Ports / Industrial / OEM industry.



### Aviation

For logistic handling and moving of aircraft tyre and wheel assemblies. To and from stock and hangars. Mounting and demounting of wheels. With a safe grip and tilt and rotation functions.

### Military

Ideal to change tyres and wheels in workshops but also outside - depending on the vehicle. Can be mounted as a quick shift attachment. Effectivity, safety, ergonomic improvements.



### Mining

Ideal for road trains and other equipment with relatively small and heavy wheels. A great tool for service of tyres and wheels. Effectivity, safety, ergonomic improvements.

### Ports

Easy Gripper 1700 can handle the smaller tyres and wheels on some RTG-cranes, Straddle Carriers, AGVs and other equipment. Where safety is important.



### Industrial Trucks

Ideal to change tyres and wheels of trucks – especially in heavy industries with trucks with many and heavy wheels. Effectivity, safety, ergonomic improvements.

### Workshops & OEM

To mount and demount tyres and wheels. A great and flexible tool for use at assembly lines. Very effective compared to overhead cranes and with improved safety and risk of internal damages.







Easy accessible controls + monitoring

## Delivered as a turnkey solution

### Standard features

#### Unique and safe 3-point grip

Avoid accidents.

Avoid deformation of tyres.

Avoid damages to tyres, rims and equipment.

#### Integrated camera system for optimal view

With automatic IR function in insufficient light conditions.

#### Integrated Control System build in tiller

90° tilt, horizontal to vertical

Precise rotation +/-25°

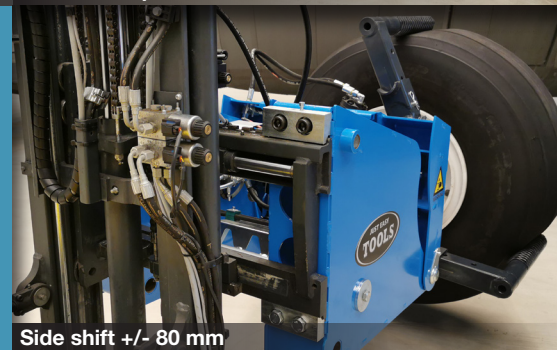
Side shift +/- 80 mm

#### Slow drive mode

Controlled and accurate movements improve safety.



90° tilt and precise +/-25° rotation



Side shift +/- 80 mm



Steel mesh on pipes ensure a safe grip

### Optional features

#### Quick Shift System

Easy hook on and off. Shift between Gripper and forks in less than half a minute, by using the Fork Module and Hydraulic Multi Connection.

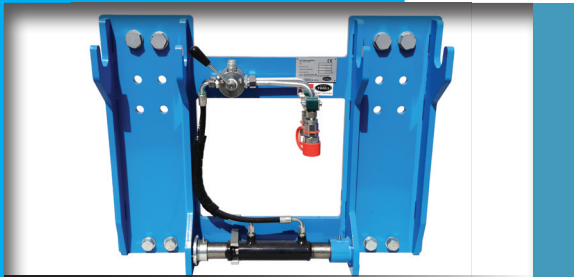
#### Easy shift of gripping pipes for various purposes

Flat top arm for limited tyre clearance.

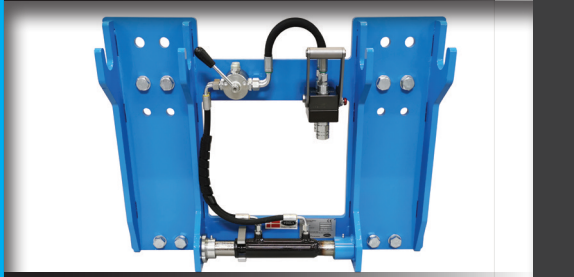
#### Customization on request



Integrated camera system for optimal view



Quick Shift Module - screw coupling



Quick Shift Module - hydraulic multi connection



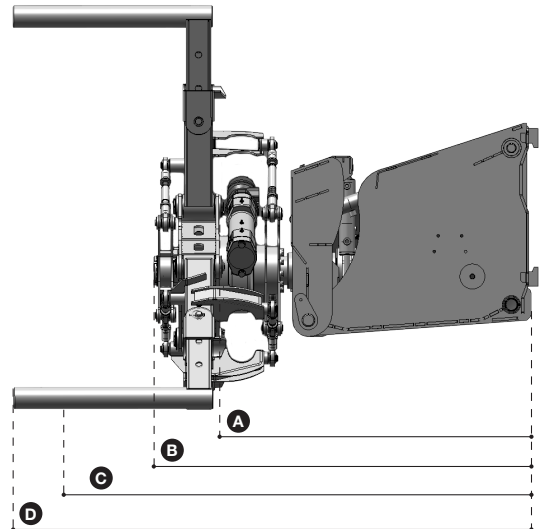
Fork Module



Flat top arm for limited tyre clearance

## Technical Specifications

Weight:	420 kg (926 lbs)
Lifting capacity:	600 kg (1.323 lbs)
Tyre diameter:	480 - 1.700 mm (19 - 67")
Standard pipes:	Ø89 x 600 mm (3,5 x 23,6")
Attachment:	ISO/FEM/ITA Class 2



- A** CoG Gripper = 1.065 mm (42")
- B** Rear of Load = 1.180 mm (46")
- C** CoG Load = 1.410 mm (56")
- D** Length = 1.645 mm (65")

## Technical Requirements of forklift or electrical stacker

Lifting capacity:	Individual calculation
Electrical supply:	12/24 V / min 10A
Hydraulic:	1 double acting hydraulic valve
Pressure min-max:	110 - 250 bar (1.596 - 3.626 psi)
Return pressure:	max. 10 bar (145 psi)
Flow:	max. 40 l/min. (11 gal/min.)

Authorized Dealer



+45 72 344 344  
 info@justeasytools.dk  
 www.justeasytools.com  
 VAT no.: DK33644809

Just Easy Tools ApS  
 Nupark 51  
 DK-7500 Holstebro  
 Denmark